



# ICS3COND-MKIT Marine Kit C2210M (12/04)

---

## IMPORTANT SAFETY INSTRUCTIONS

1. Read these instructions.
2. Keep these instructions.
3. Heed all warnings.
4. Follow all instructions.
5. Only use attachments/accessories specified by the manufacturer.
6. Installation should be done only by qualified personnel and conform to all local codes.
7. This product is not suitable for splash zone installations. Only use stainless steel marine-rated enclosures and pan and tilts for splash zone installations.

## DESCRIPTION

The ICS3COND-MKIT marine kit is designed to protect the ICS300 Camclosure® and the ICS300-COND adapter from galvanic corrosion by electrically isolating the unit from the mounting structure. When installed correctly the marine kit eliminates the conductive path between the aluminum adapter and the dissimilar metal of the mounting structure.

The ICS3COND-MKIT includes the following parts:

<b>Qty</b>	<b>Description</b>
1	Gasket
1	3/4-inch NPT liquid type fitting
1	#7 drill bit
2	Nylon hex screws
2	6-32 x 1 1/4-inch, Monel, button head screws
4	10-24 x 3/8-inch, Monel, Phillips, flat head screws
1	1/4-20 spiral point tap



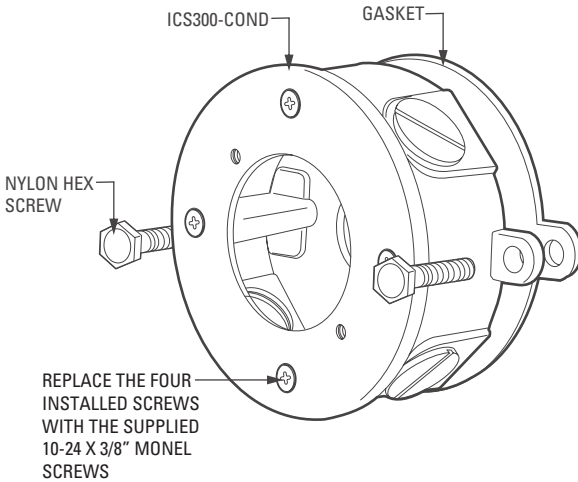
### **IMPORTANT:**

- Galvanic corrosion is a process that is common in a marine environment. It requires marine installation techniques to protect the installation. If you are unfamiliar with such installation techniques, you should consult a marine installation expert.
- Pelco cannot accept any responsibility for incorrect installations that result in galvanic corrosion damage to the unit.
- This product must be installed correctly to provide protection against galvanic corrosion. Failure to follow these installation instructions will void the warranty.

# INSTALLATION

To install the ICS3COND-MKIT marine kit, refer to Figure 1 and do the following:

1. Determine the mounting location. Use the gasket as a template and mark the two fastener hole positions onto the mounting surface.
2. Drill the holes in the mounting surface with the supplied drill bit and spiral point tap.
3. Attach the gasket to the mounting structure. Align the mounting holes of the ICS300-COND adapter with the mounting holes of the gasket.
4. Secure the adapter to the gasket with the supplied nylon hex screws.
5. Replace the four installed Phillips flat head screws on the cover of the ICS300-COND with the supplied 10-24 x 3/8-inch, Monel, Phillips, flat head screws.
6. Attach the base of the ICS300 system to the ICS300-COND with the two supplied 6-32 x 1 1/4-inch, Monel, button head screws. For complete installation instructions of the ICS300 system, refer to the installation instructions supplied with the system.
7. Use a resistance meter to verify that a conductive path does not exist after the installation is completed.
8. Use a galvanic isolator (not supplied) to connect the ICS300 ground to safety ground. The galvanic isolator must have a duty rating exceeding 135% of the service rating. Galvanic isolators are sold at most marine shops.



**Figure 1. ICS3COND-MKIT Installation**

Worldwide Headquarters • 3500 Pelco Way • Clovis, California 93612 USA • [www.pelco.com](http://www.pelco.com)  
USA & Canada • Tel: 800/289-9100 • Fax: 800/289-9150  
International • Tel: 1-559/292-1981 • Fax: 1-559/348-1120